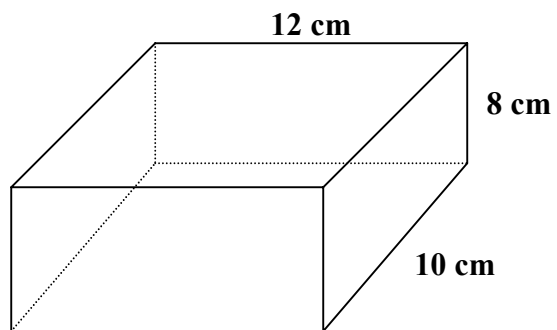


16. How many cubes, 2 cm on a side, can be packed into this box?



- E) 100
- F) 120
- G) 240
- H) 960

Note: figure **not** drawn to scale